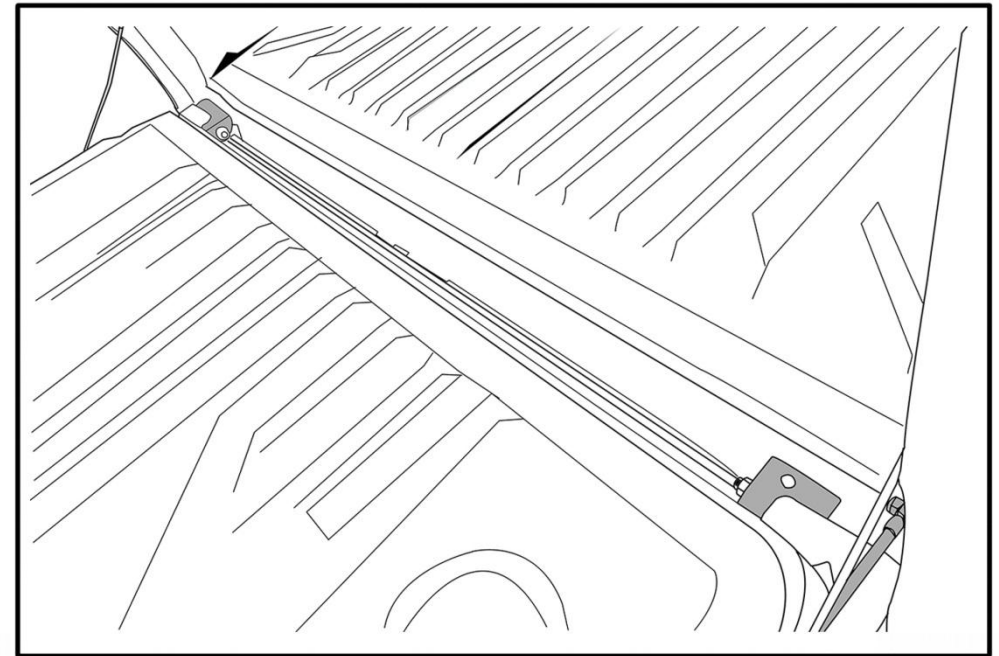




## FITTING INSTRUCTION

### ISUZU D-MAX



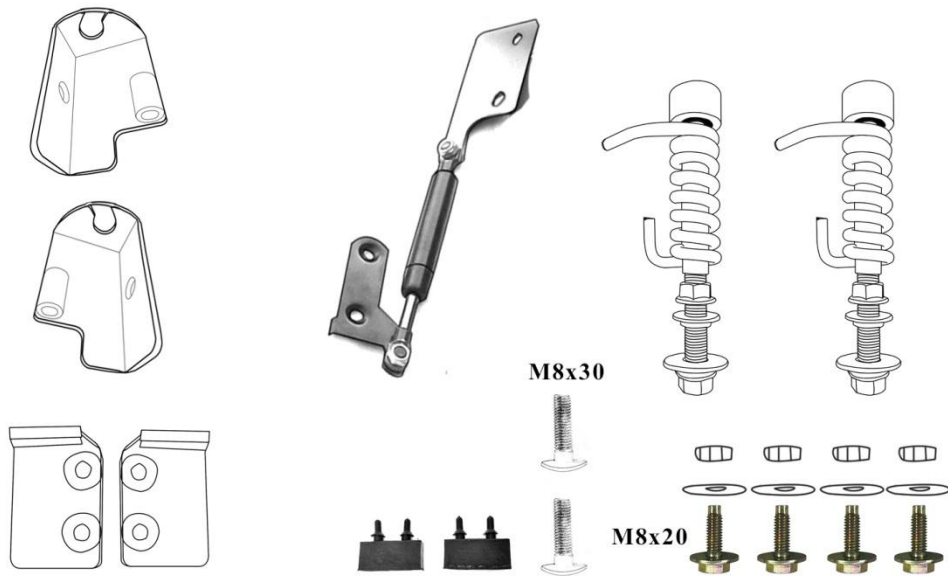
## Note :

Apply WD40 or grease to the moving parts regularly for good performance of the product.

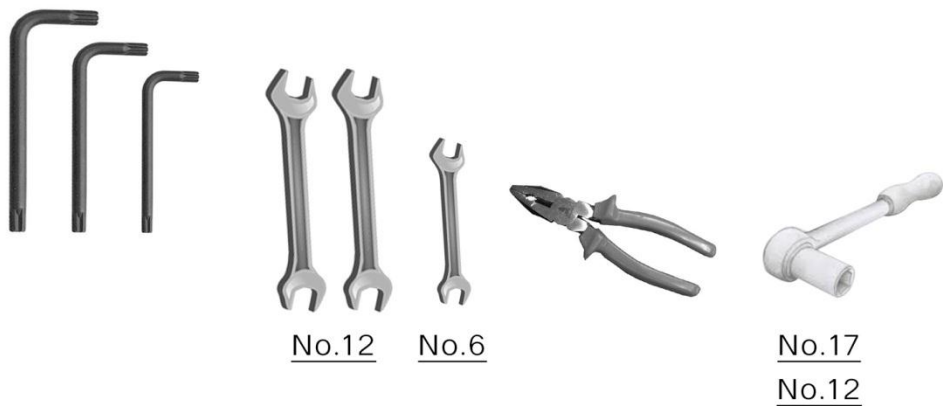
Patent Pending Worldwide

Patent Pending Worldwide

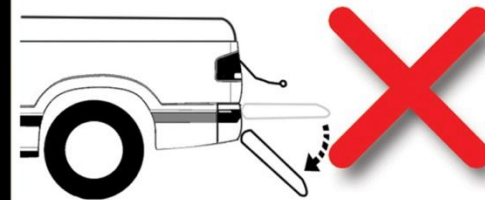
## Part list



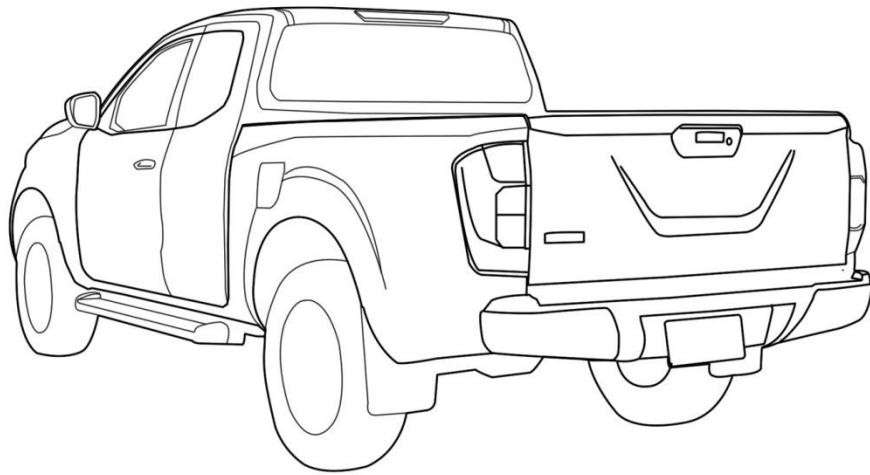
## Tooling



**CAUTION**



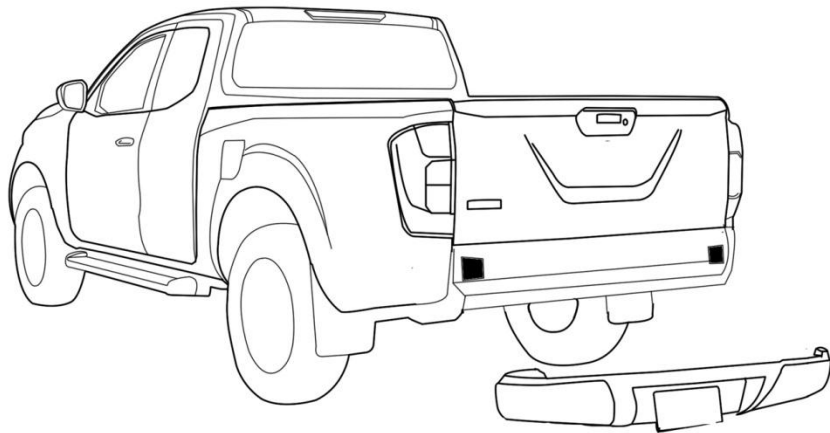
Do not take off  
tailgate cable  
and drop down  
the tailgate



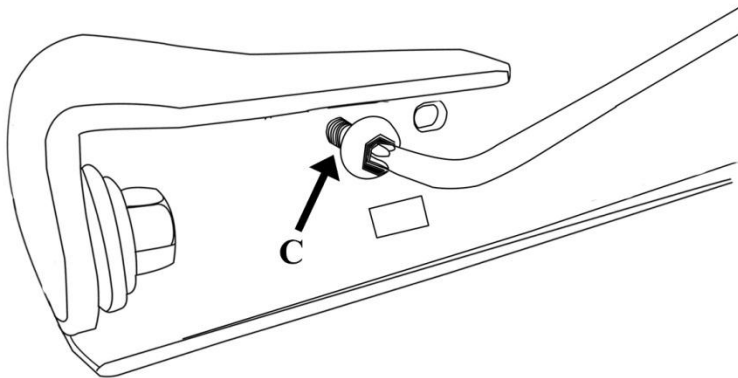
9.put back rear bumper

**NOTE : Process #2 - #4 will be done from the bottom of the tailgate while the tailgate in closed position.**

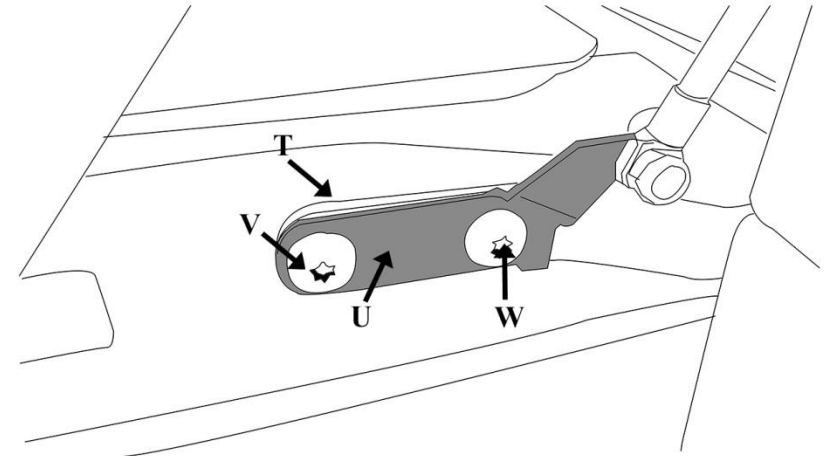
**1. take off rear bumper**



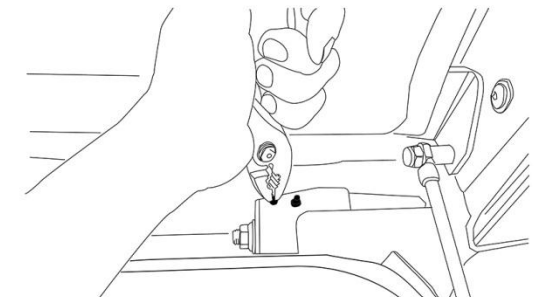
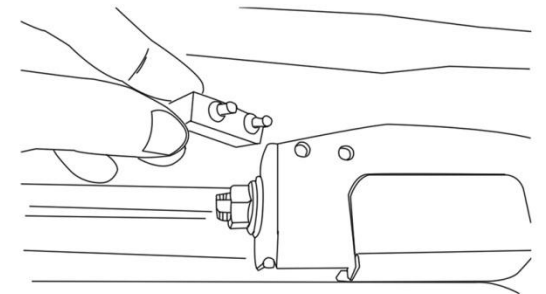
**2. un-bolt the truck tailgate bracket**



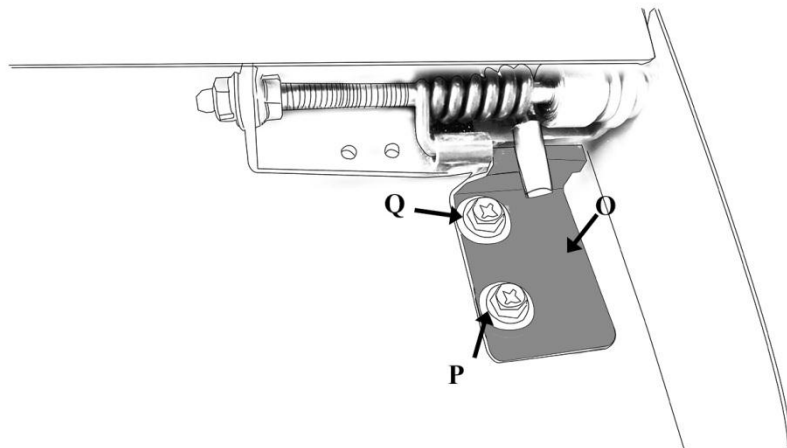
**7. Attach damper to the tailgate by putting damper bracket (T) under tailgate sling bracket (U) and tighten together with original bolt (V) (W)**



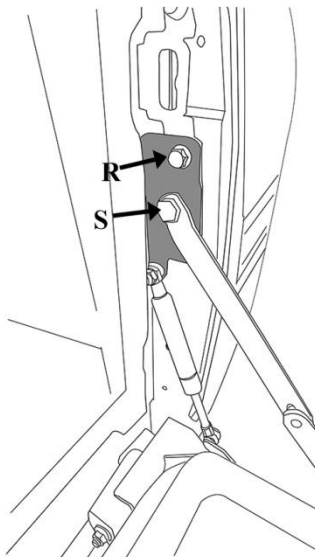
**8. Put stopper rubber with tailgate bracket**



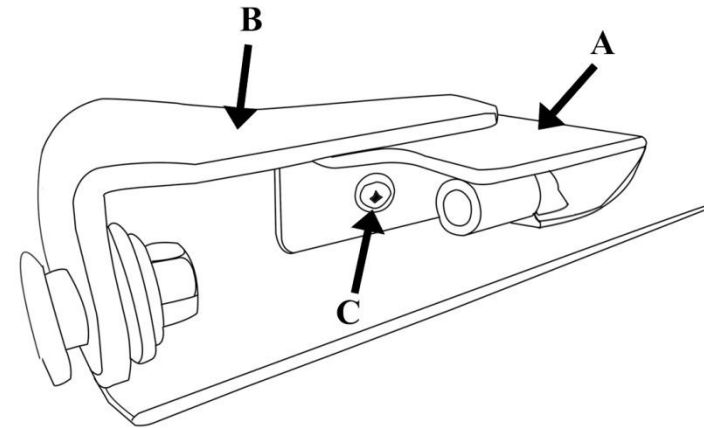
**5. Attache spring pushing bracket (O) with the truck using original bolt (P). If the truck has stopping rubber, can put it back through hole (Q)**



**6. Attache damper to the truck using original bolt (R) (S)**

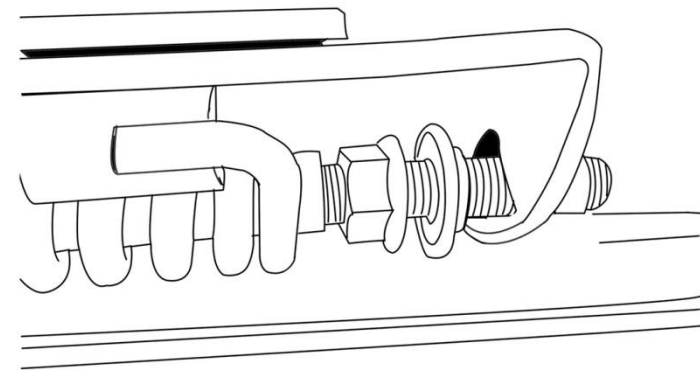


**3. Attache tailgate bracket (A) on the truck tailgate bracket (B) change bold JMF M8x30 (C)**

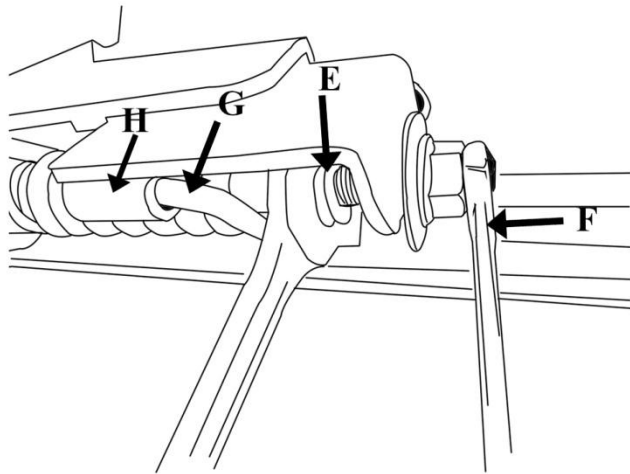


**4. Assembly the spring set with tailgate bracket**

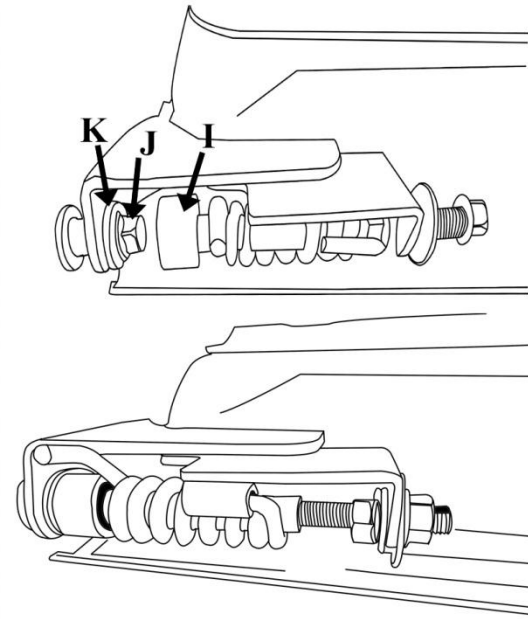
**4.1 put spring set with tailgate bracket as below picture**



**4.3 tighten nut (E) while holding the rod of the spring set with #6 wrench (F)**



**Make sure that the spring end (G) is slided in the bush (H) of the tailgate bracket**



**tighten the nut (E) till bush (I) completely cover the bolt head (J) and touch the flat washer (K)**

**4.4 tighten nut (L) with wrench #12 (M) while holding nut (E) with wrench #12 (N)**

